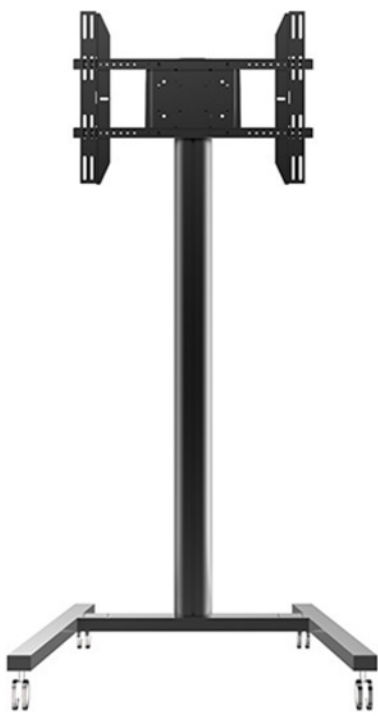




Ready when you are.

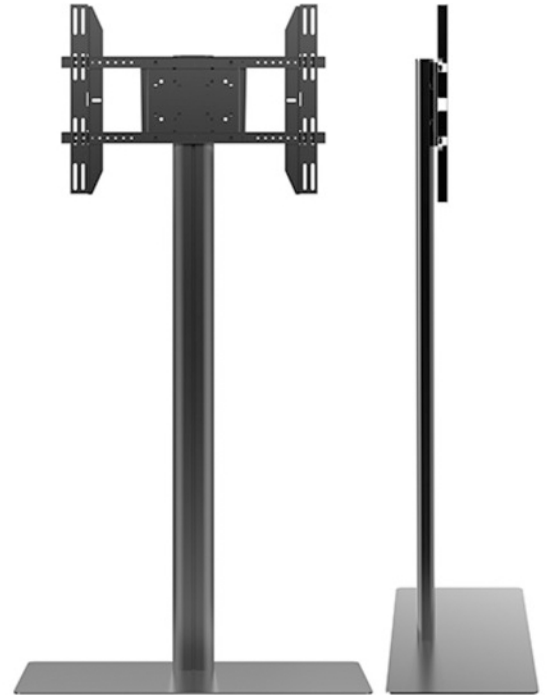
# M Display Stand 180 Single with Floormount      with Floorbase



Display Stand 180 Single



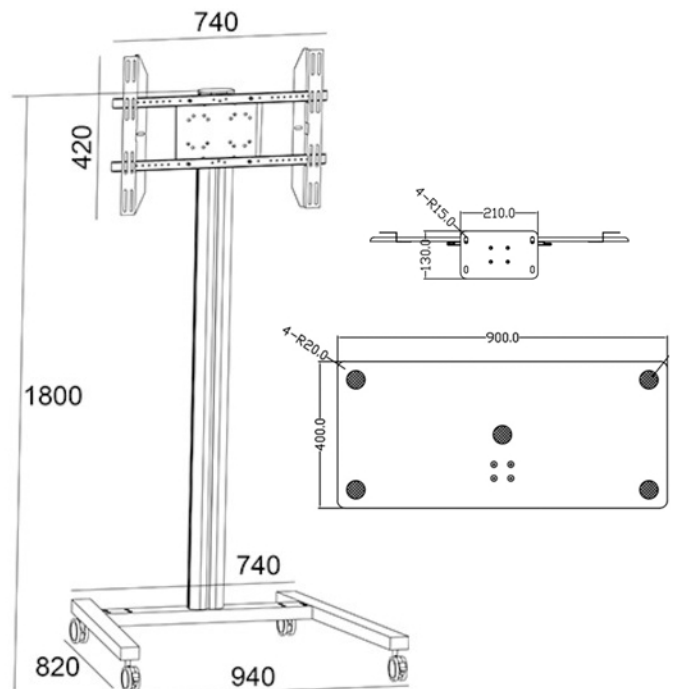
Display Stand 180 Single with Floormount



Display Stand 180 Single with Floorbase

## M Display Stand 180 / w. Floorbase / w. Floormount

VESA standard:	Up to 700x400 mm
Adjustable height:	Yes
Max load:	50 kg
DVD Shelf / Camera holder:	Optional, not included
Wheels:	Display Stand 180
Mount to floor:	Floormount
Floorbase:	Floorbase



[www.multibrackets.com/0643](http://www.multibrackets.com/0643)  
[www.multibrackets.com/2401](http://www.multibrackets.com/2401)  
[www.multibrackets.com/2425](http://www.multibrackets.com/2425)