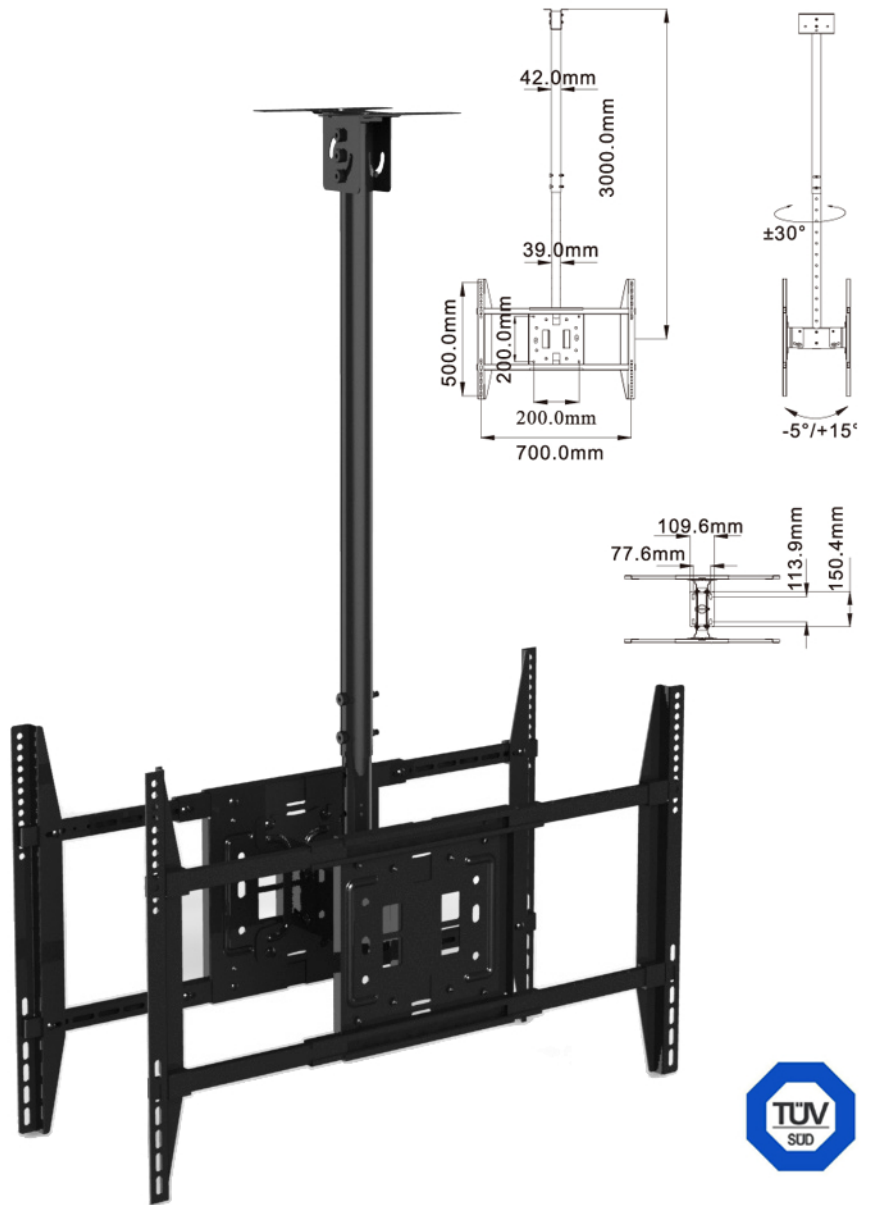




Ready when you are.

M Public Ceilingmount Large Back to Back

The new M Public Ceilingmount Large Back to Back is a sturdy double flat panel ceiling mount with VESA adapters supporting up to 800x600. The M Public Ceilingmounts Back to Back feature allows large flat panels or digital signage solutions to be seen from multiple locations. Change the screen from landscape to portrait by demounting the screen and then fixing the screen to needed position.



SPECIFICATIONS

M Public Ceilingmount Large Back to Back	
For screen size:	42-63"
VESA standard:	200x200 300x300 400x200 400x400 600x400 800x600 mm
EAN:	7 350 022 735 491
Pillar length:	Min: 832 — Max: 3000 mm
Weight:	12,4 kg
Tilt:	-5° — +15°
Colour:	Black
Max load:	80 kg
Portrait / Landscape mode:	Yes
Turn:	-30° — +30°
Material:	Steel
Warranty:	5 years