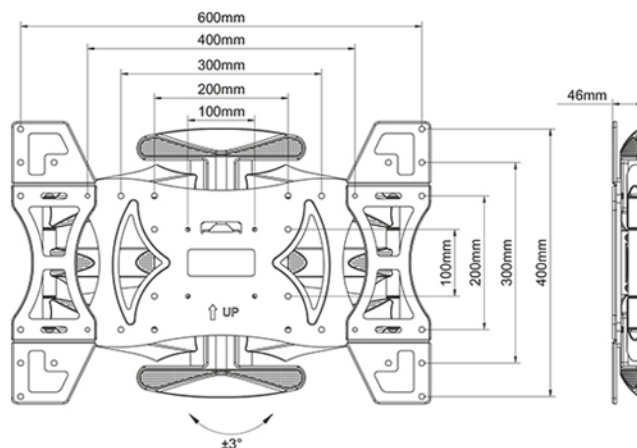


M VESA Flexarm Full Motion Dual

M VESA Flexarm Full Motion Dual ends an era of bulky and heavy arms needed to flex, tilt and turn. If your aim is to find a discreet partner for that new LED, LCD or plasma in a light weight, super strong solution not visible from any side yet giving you a maximum flexibility then the M VESA Flexarm Full Motion Dual is your choice.

The uniquely designed low profile M VESA Flexarm Full Motion Dual mount fits most 40" and up to 60" flat panels up to 45 kgs. It is very well-suited for those applications where seamless integration counts the most. The M VESA Flexarm Full Motion Dual is part of the Slim Series of fixed, tilt and cantilever mounts offering a slim design without compromising on functionality. Moreover, this wallmount has an extended profile of 488 mm from the wall.



SPECIFICATION

M VESA Flexarm Full Motion Dual, 600x400

For screen size: 40-60"

Tilt: -2° ~ +10°

Turn: Up to -45° ~ +45°, screen size dependant

VESA standard: 100x100 200x100 200x200 300x300 300x200 400x200 400x400 600x400

Article No: 7 350 073 731 732

Size in mm: 595*294*46-488 (W*H*D)

Distance to wall: 46mm

Weight: 8 kg

Colour: Black

Max load: 45 kg

Distribution package: 2 pcs

Warranty: 5 years

Single box size (WxDxH): 600 x 430 x 650 mm