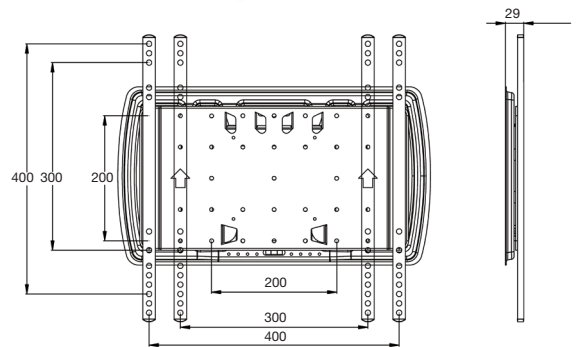




Ready when you are.



M VESA Super Slim Tilt & Turn

Art No: 7 350 022 734 036

The uniquely designed low profile M VESA Super Slim Tilt & Turn mount fits most 26" and up to 55" flat panels up to 40 kgs. It is very well-suited for those applications where seamless integration counts the most. The M VESA Super Slim Tilt & Turn is part of the Super Slim

Series of fixed, tilt and cantilever mounts offering a slim design without compromising on functionality. Super Slim defines the minimal 29 mm of the low profile to wall. It extends to a maximum of 250 mm proving that this construction is truly flexible being so lightweight.

SPECIFICATIONS

M VESA Super Slim Tilt & Turn	
For screen size:	26-55"
Universal & VESA standard:	100x100 200x100 200x200 300x300 300x200 400x200 400x400
EAN:	7 350 022 734 036
Size in mm:	285x500x29-250 (W*H*D)
Distance to wall:	VESA 100 / 200 / 300: 29mm
Distance to wall with extender arms:	VESA 400: 39mm
Weight:	7,5 kg
Colour:	Black
Max load:	40 kg
Distribution package:	4 pcs
Warranty:	5 years
Units on pallet:	64 pcs
Single box size (WxDxH):	587x80x382mm
Units on a EUR-pallet:	80 pcs
For VESA 600x400 600x300 600x200:	Combine with optional M Extender Kit Tilt & Turn

www.multibrackets.com/4036

