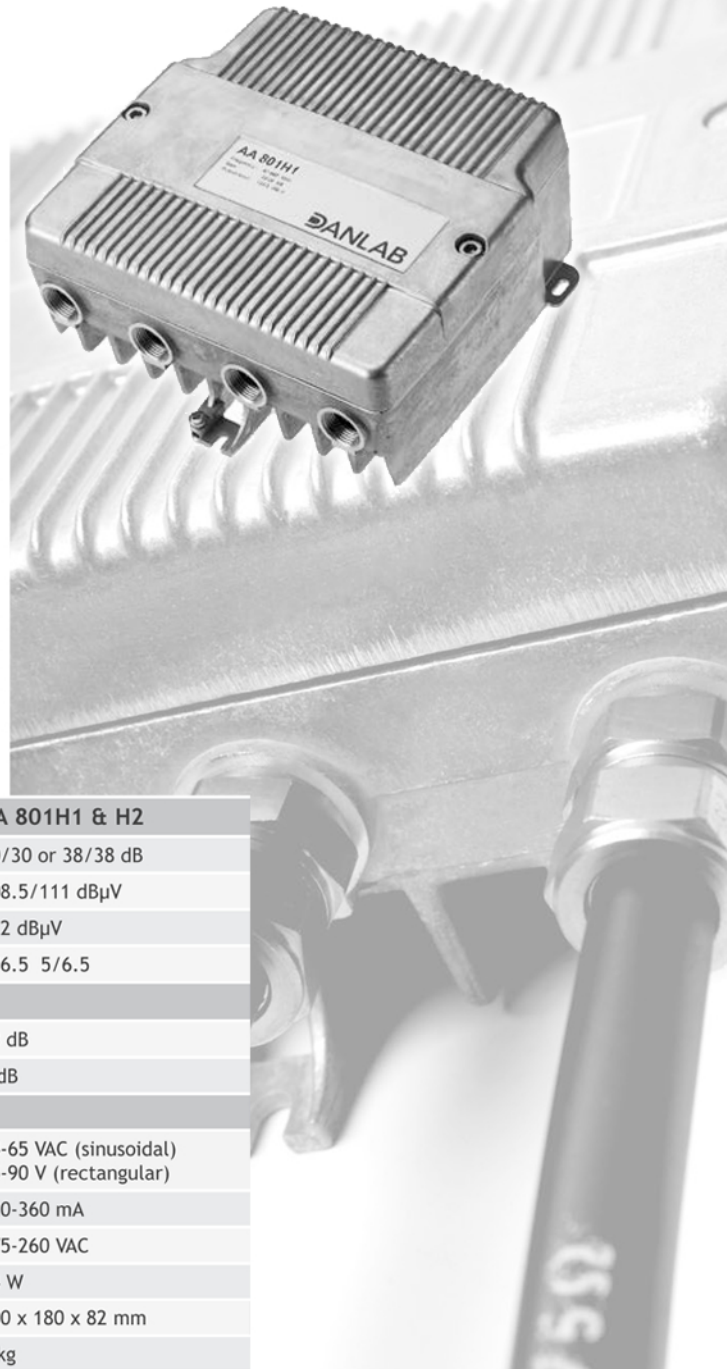


aa 801 distribution and mini trunk amplifier

The AA 801 series is a mid-range series of Distribution & Mini-Trunk Amplifiers with a very high system performance (high levels/low noise) that do not affect CTB/CSO and NF (noise figure), and are ideal for upgrading or establishing new bi-directional broadband HFC networks. These amplifiers enable more subscribers to be connected to existing equipment and reduce network expansion costs.

AA 801 series comes in different versions - a line powered and a mains powered. The amplifier can be set to high or very high output with a gain switch easily switching the gain. The series has, with multiple hot pluggable upgrade modules and modular universal plug-ins provided flexibility. The amplifiers come in two different versions - one with a Standard Attenuator Pads for gain & tilt adjustment as well as interstage attenuation & tilt functions and one with Adjustable Attenuators for gain & tilt adjustment. The interstage attenuation & tilt function is combined in one compact MEX module.



Forward path, bandwidth (depending on diplexer modules)	AA 801H1 & H2	
Gain (8 db gain switch)	47/862 MHz	30/30 or 38/38 dB
CTB (42 ch CENELEC)	flat/8 dB tilt	108.5/111 dB μ V
CSO (42 ch CENELEC)		112 dB μ V
Noise Figure	47/862 MHz	5/6.5 5/6.5
Return Path, bandwidth (depending on diplexer modules)		
Gain		23 dB
Noise Figure		6 dB
General		
Line power, Voltage	24-65 VAC (sinusoidal) 35-90 V (rectangular)	
Line power, Current	820-360 mA	
Main power, Voltage	175-260 VAC	
Power consumption (incl. return path)	14 W	
Dimensions	200 x 180 x 82 mm	
Weight	2 kg	

